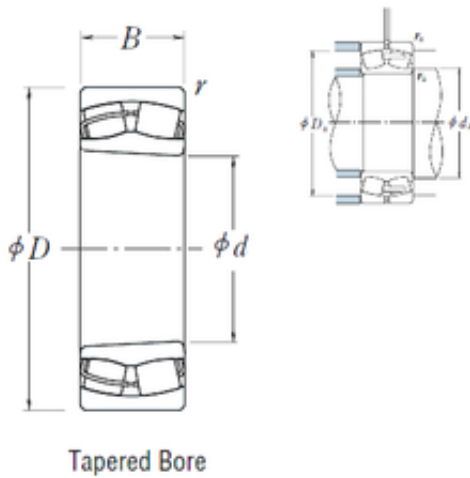




## Bearing Import and Export Co., Ltd.



23136CKE4 Bearing 2D drawings and 3D CAD models

### 23136CKE4 NSK Spherical Roller Bearing

Bearing No. 23136CKE4

Size	180x300x96 mm
Bore Diameter	180 mm
Outer Diameter	300 mm
Width	96 mm
d	180 mm
D	300 mm
B	96 mm
C	96 mm
r min.	3 mm
da min.	194 mm
da max	206 mm
Da min	260 mm
Da max.	286 mm
ra max.	2,5 mm
Weight	27,5 Kg
Basic dynamic load rating (C)	1050 kN
Basic static load rating (C0)	1760 kN
(Grease) Lubrication Speed	900 r/min
(Oil) Lubrication Speed	1200 r/min
Calculation factor (e)	0,3
Calculation factor (Y0)	2,2
Calculation factor (Y2)	3,4
Category	Spherical Roller Bearings
Inventory	0.0
Manufacturer Name	NSK
Minimum Buy Quantity	N/A



## Bearing Import and Export Co., Ltd.

Weight / Kilogram	22.1
Product Group	B04311
Internal Clearance	C0-Medium
Mounting Method	Adapter Mount
Rolling Element	Spherical Roller Bearing
Bore Profile	Tapered
Cage Material	Steel
Enclosure	Open
Number of Rows of Rollers	Double Row
Relubricatable	Yes
Withdrawal Sleeve	AH3136 (Specify bore)
Inch - Metric	Metric
Long Description	180MM Tapered Bore; 300MM Outside Diameter; 96MM Width; C0-Medium Clearance; Adapter Mount; Double Row of Spherical Roller Bearings; Steel Cage Material; Open Enclosure; Relubricatable; Adapter Part N
Other Features	Order adapter or withdrawal sleeve or nut separately. Others may be available
Category	Spherical Roller Bearing
UNSPSC	31171510
Harmonized Tariff Code	84823080
Noun	Bearing
Keyword String	Spherical
Manufacturer URL	<a href="http://www.nskamericas.com">http://www.nskamericas.com</a>
Manufacturer Item Number	23136CKE4
Weight / LBS	27.35
Outside Diameter	11.811 Inch   300 Millimeter
Width	3.78 Inch   96 Millimeter



## Bearing Import and Export Co., Ltd.

Bore	7.087 Inch   180 Millimeter
Adapter Part Number	SNW3136 H3136 HA3136 HR3136 (Specify bore) Inch   H3136 (Specify bore) Millimeter
bore diameter:	180 mm
outer ring type:	Not Split
outside diameter:	300 mm
internal clearance:	C0
overall width:	96 mm
lubrication hole type:	Oil Grooves And Holes In Outer Ring
bore type:	Tapered 1:12
cage material:	Brass
Y3	2.3
hidYobi	23136CKE4
LangID	1
Y1	2.2
D_	300
Y2	3.4
Macha rpm	0
B_	96
da min	194
hidTable	ecat_NSSPHR
Oil rpm	1200
Y0	2.2
mass	27.5
GRS rpm	900
ra	2.5
TSR rpm	1700
C0	1760
DE_	270.697
X0	1



## Bearing Import and Export Co., Ltd.

Prod_Type3	SRB_CTB_TB
X1	1
X2	0.67
SIR	38.5
e	0.3
DA_	30
bomp	23136CKE4
Z_	21
ALP2	15
ALP1	11
ALP3	0
D_a max	286
D_a min	260
yobi	23136CKE4
ALPHA_	0.196
SDM_	241.273
r	3
KBRG	2322
SBRG	31
DI_	211.85