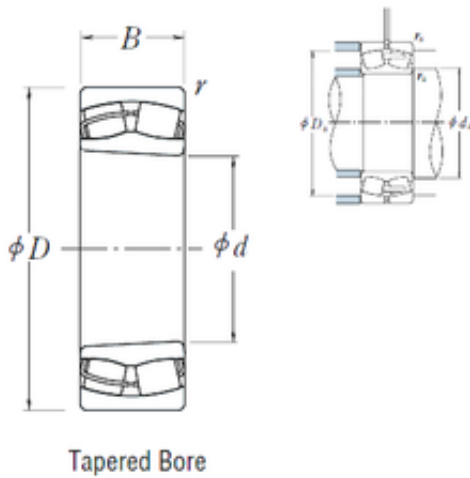




Bearing Import and Export Co., Ltd.



23128CKE4 NSK Spherical Roller Bearing

Bearing No. 23128CKE4

Size	140x225x68 mm
Bore Diameter	140 mm
Outer Diameter	225 mm
Width	68 mm
d	140 mm
D	225 mm
B	68 mm
C	68 mm
r min.	2,1 mm
da min.	152 mm
da max	158 mm
Da min	198 mm
Da max.	213 mm
ra max.	2 mm
Weight	10,5 Kg
Basic dynamic load rating (C)	580 kN
Basic static load rating (C0)	945 kN
(Grease) Lubrication Speed	1200 r/min
(Oil) Lubrication Speed	1600 r/min
Calculation factor (e)	0,28
Calculation factor (Y0)	2,3
Calculation factor (Y2)	3,6
Category	Spherical Roller Bearings
Inventory	0.0
Manufacturer Name	NSK
Minimum Buy Quantity	N/A

23128CKE4 Bearing 2D drawings and 3D CAD models



Bearing Import and Export Co., Ltd.

Weight / Kilogram	10.28
Product Group	B04311
Internal Clearance	C0-Medium
Mounting Method	Adapter Mount
Rolling Element	Spherical Roller Bearing
Bore Profile	Tapered
Cage Material	Steel
Enclosure	Open
Number of Rows of Rollers	Double Row
Relubricatable	Yes
Withdrawal Sleeve	AHX3128 (Specify bore)
Inch - Metric	Metric
Long Description	140MM Tapered Bore; 225MM Outside Diameter; 68MM Width; C0-Medium Clearance; Adapter Mount; Double Row of Spherical Roller Bearings; Steel Cage Material; Open Enclosure; Relubricatable; Adapter Part N
Other Features	Order adapter or withdrawal sleeve or nut separately. Others may be available
Category	Spherical Roller Bearing
UNSPSC	31171510
Harmonized Tariff Code	84823080
Noun	Bearing
Keyword String	Spherical
Manufacturer URL	http://www.nskamericas.com
Manufacturer Item Number	23128CKE4
Weight / LBS	10.28
Width	2.677 Inch 68 Millimeter
Bore	5.512 Inch 140 Millimeter



Bearing Import and Export Co., Ltd.

Outside Diameter	8.858 Inch 225 Millimeter
Adapter Part Number	SNW3128 H3128 HA3128 HE3128 (Specify bore) Inch H3128 (Specify bore) Millimeter
bore diameter:	140 mm
outer ring type:	Not Split
outside diameter:	225 mm
internal clearance:	C0
overall width:	68 mm
lubrication hole type:	Oil Grooves And Holes In Outer Ring
bore type:	Tapered 1:12
cage material:	Polyamide
Y3	2.4
hidYobi	23128CKE4
LangID	1
Y1	2.3
D_	225
Y2	3.6
Macha rpm	0
B_	68
da min	152
hidTable	ecat_NSSPHR
Oil rpm	1600
Y0	2.3
mass	10.5
GRS rpm	1200
ra	2
TSR rpm	2400
C0	945
DE_	204.406
X0	1



Bearing Import and Export Co., Ltd.

Prod_Type3	SRB_CTB_TB
X1	1
X2	0.67
SIR	26
e	0.28
DA_	21.5
bomp	23128CKE4
Z_	23
ALP2	40
ALP1	10
ALP3	0
D_a max	213
D_a min	198
yobi	23128CKE4
ALPHA_	0.186
SDM_	183.277
r	2.1
KBRG	2322
SBRG	31
DI_	162.149