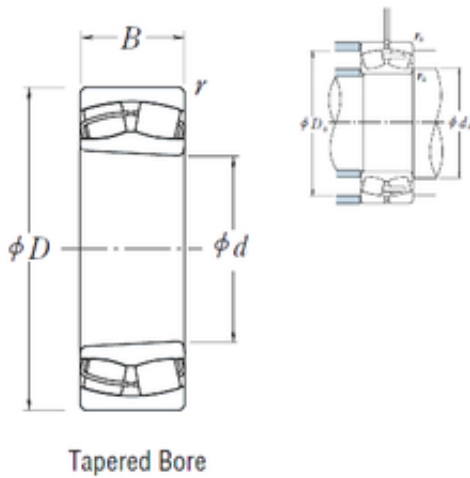




Bearing Import and Export Co., Ltd.



23022CDKE4 NSK Spherical Roller Bearing

Bearing No. 23022CDKE4

Size	110x170x45 mm
Bore Diameter	110 mm
Outer Diameter	170 mm
Width	45 mm
d	110 mm
D	170 mm
B	45 mm
C	45 mm
r min.	2 mm
da min.	120 mm
da max	124 mm
Da min	153 mm
Da max.	160 mm
ra max.	2 mm
Weight	3,76 Kg
Basic dynamic load rating (C)	293 kN
Basic static load rating (C0)	465 kN
(Grease) Lubrication Speed	2000 r/min
(Oil) Lubrication Speed	2400 r/min
Calculation factor (e)	0,24
Calculation factor (Y0)	2,8
Calculation factor (Y2)	4,2
Category	Bearings
Inventory	0.0
Manufacturer Name	NSK
Minimum Buy Quantity	N/A

23022CDKE4 Bearing 2D drawings and 3D CAD models



Bearing Import and Export Co., Ltd.

Weight / Kilogram	3.6
Product Group	B04311
Y3	2.8
hidYobi	23022CDKE4
LangID	1
Y1	2.8
D_	170
Y2	4.2
Macha rpm	0
B_	45
da min	120
hidTable	ecat_NSSPHR
Oil rpm	2400
Y0	2.8
mass	3.76
GRS rpm	2000
ra	2
TSR rpm	3200
C0	465
DE_	156.055
X0	1
Prod_Type3	SRB_CTB_TB
X1	1
X2	0.67
SIR	17
e	0.24
DA_	15
bomp	23022CDKE4
Z_	25
ALP2	0
ALP1	9
ALP3	0



Bearing Import and Export Co., Ltd.

D_a max	160
D_a min	153
yobi	23022CDKE4
ALPHA_	0.157
SDM_	141.239
r	2
KBRG	2321
SBRG	30
DI_	126.424