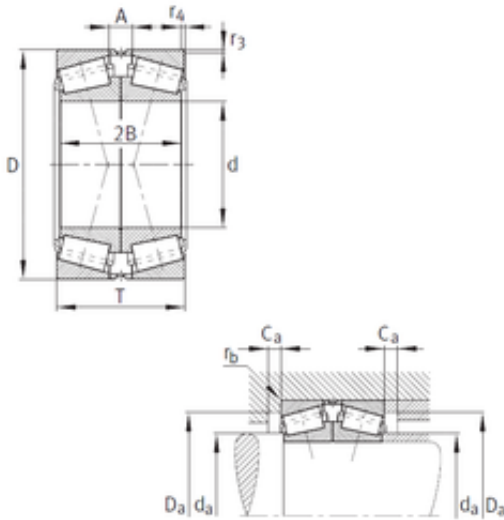




Bearing Import and Export Co., Ltd.



FAG 32968-N11CA-A550-600 Tapered roller bearings

Bearing No. 32968-N11CA-A550-600

| | |
|-------------------------------|----------------|
| Size | 340x460x152 mm |
| Bore Diameter | 340 mm |
| Outer Diameter | 460 mm |
| Width | 152 mm |
| d | 340 mm |
| D | 460 mm |
| T | 152 mm |
| r3 min. | 3 mm |
| r4 min. | 3 mm |
| 2B | 152 mm |
| A | 38 mm |
| Ca max. | 12 mm |
| da max | 361 mm |
| Da min | 421 mm |
| Da max. | 446 mm |
| rb max. | 3 mm |
| Weight | 73,1 Kg |
| Basic dynamic load rating (C) | 1850 kN |
| Basic static load rating (C0) | 4750 kN |
| Fatigue load limit (Pu) | 475 |
| Reference speed | 550 r/min |
| Limiting speed | 1 260 r/min |
| Calculation factor (e) | 0,44 |
| Calculation factor (Y0) | 1,51 |
| Calculation factor (Y1) | 1,54 |

32968-N11CA-A550-600 Bearing 2D drawings and 3D CAD models



Bearing Import and Export Co., Ltd.