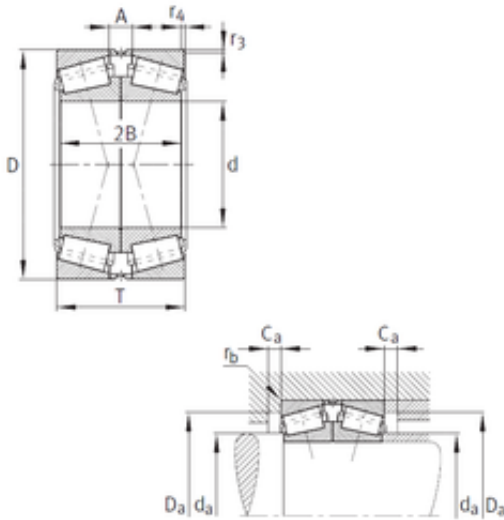




## Bearing Import and Export Co., Ltd.



### FAG 32964-N11CA-A600-650 Tapered roller bearings

Bearing No. 32964-N11CA-A600-650

Size	320x440x152 mm
Bore Diameter	320 mm
Outer Diameter	440 mm
Width	152 mm
d	320 mm
D	440 mm
T	152 mm
r3 min.	3 mm
r4 min.	3 mm
2B	152 mm
A	38 mm
Ca max.	12 mm
da max	344 mm
Da min	402 mm
Da max.	426 mm
rb max.	3 mm
Weight	67,2 Kg
Basic dynamic load rating (C)	1810 kN
Basic static load rating (C0)	4550 kN
Fatigue load limit (Pu)	460
Reference speed	360 r/min
Limiting speed	1 260 r/min
Calculation factor (e)	0,42
Calculation factor (Y0)	1,59
Calculation factor (Y1)	1,62

32964-N11CA-A600-650 Bearing 2D drawings and 3D CAD models



# **Bearing Import and Export Co., Ltd.**