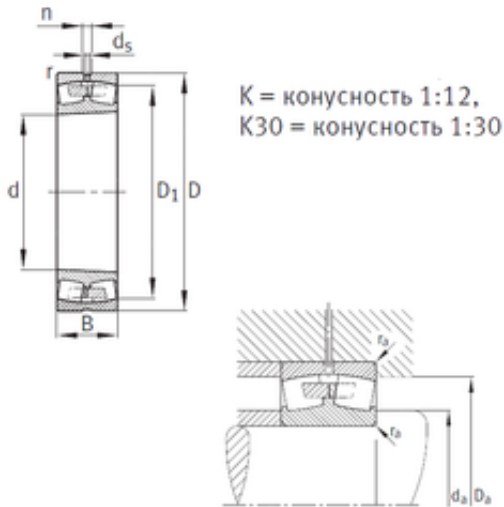




Bearing Import and Export Co., Ltd.



340 mm x 620 mm x 224 mm FAG 23268-B-K-MB Spherical roller bearings

Bearing No. 23268-B-K-MB

23268-B-K-MB Bearing 2D drawings and 3D CAD models

Size	340x620x224 mm
Bore Diameter	340 mm
Outer Diameter	620 mm
Width	224 mm
d	340 mm
D	620 mm
B	224 mm
C	224 mm
n	23,5 mm
r min.	6 mm
D1	521,2 mm
da min.	366 mm
Da max.	594 mm
ra max.	5 mm
d5	12,5 r/min
Weight	291 Kg
Basic dynamic load rating (C)	4500 kN
Basic static load rating (C0)	8150 kN
Fatigue load limit (Pu)	650
Reference speed	465 r/min
Limiting speed	850 r/min
Calculation factor (e)	0,38
Calculation factor (Y0)	1,74
Calculation factor (Y1)	1,78