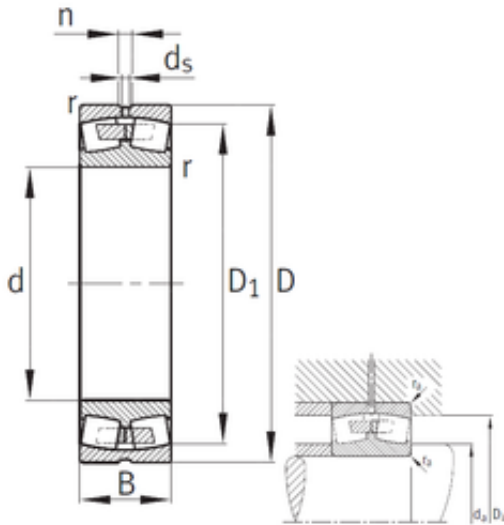




Bearing Import and Export Co., Ltd.



320 mm x 480 mm x 160 mm FAG 24064-B-MB Spherical roller bearings

Bearing No. 24064-B-MB

Size	320x480x160 mm
Bore Diameter	320 mm
Outer Diameter	480 mm
Width	160 mm
d	320 mm
D	480 mm
B	160 mm
C	160 mm
n	15 mm
r min.	4 mm
D1	424 mm
da min.	334,6 mm
Da max.	465,4 mm
ra max.	3 mm
d5	8 r/min
Weight	107 Kg
Basic dynamic load rating (C)	2600 kN
Basic static load rating (C0)	5400 kN
Fatigue load limit (Pu)	360
Reference speed	660 r/min
Limiting speed	950 r/min
Calculation factor (e)	0,33
Calculation factor (Y0)	2,01
Calculation factor (Y1)	2,06

24064-B-MB Bearing 2D drawings and 3D CAD models